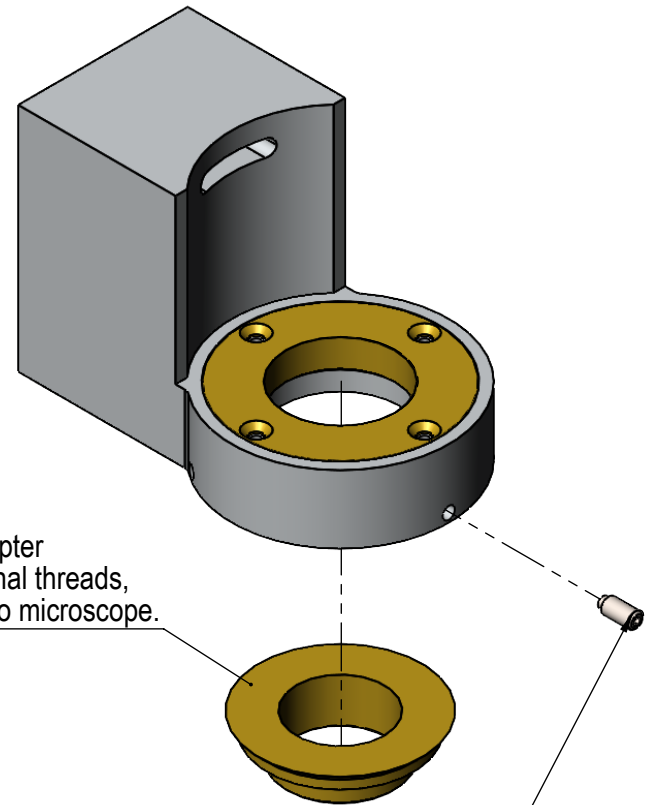
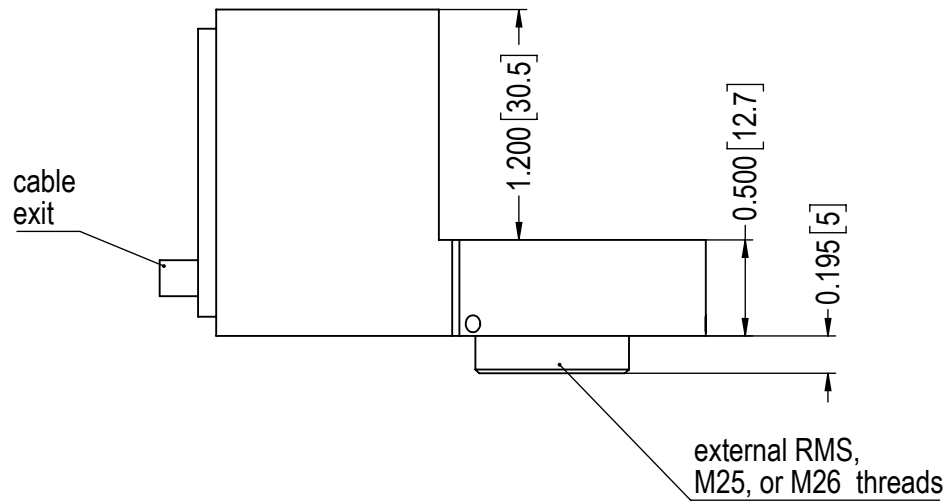


Maximum lens diameter: 1.550 [39.3]



Brass adapter with external threads, screws into microscope.

4-40x1/4" brass tip set screw, used to secure Nano-F100S onto brass adapter with external threads



Description:
Date: 10/21/21

Dimensions are in inches [mm]
Drawing Name:
F100S dimensions

DRAWING IS TO BE USED AS A GUIDE ONLY. DIMENSIONS ARE SUBJECT TO CHANGE WITHOUT NOTICE. THE INFORMATION CONTAINED IN THIS DRAWING IS THE SOLE PROPERTY OF MAD CITY LABS. ANY REPRODUCTION IN PART OR AS A WHOLE IS PROHIBITED.