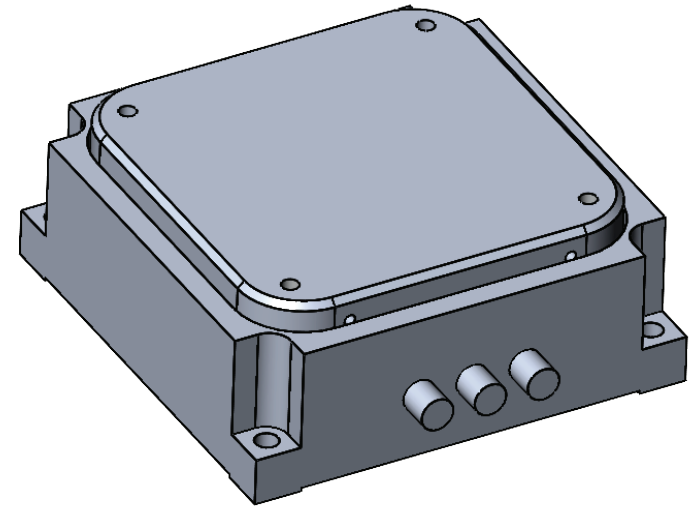
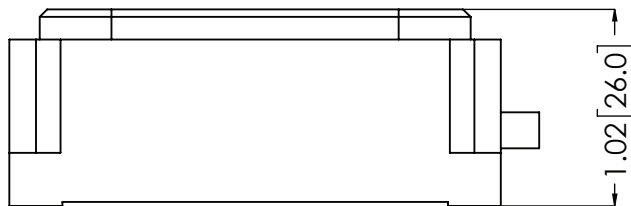


cable exits



4 x M3x.05

4 x  $\varnothing$  0.13 [3.4] THRU ALL  
C-Bored for M3 SHCAP



ROM  
Z: 50 microns  
 $\varnothing$ X: 3 mrad  
 $\varnothing$ Y: 3 mrad