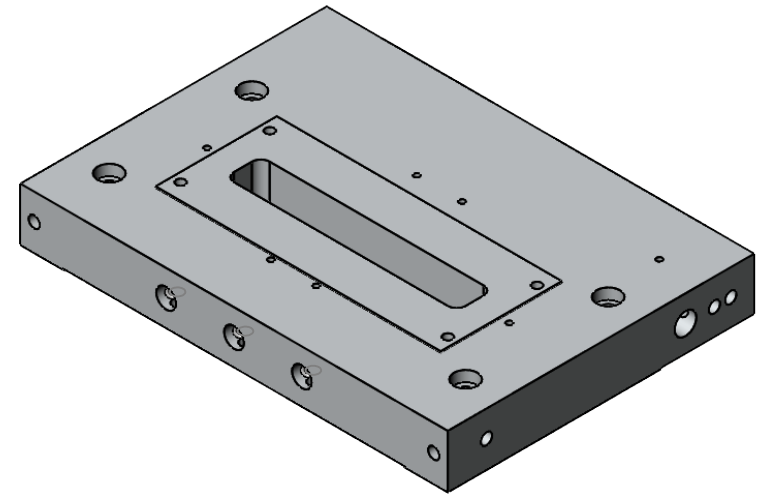
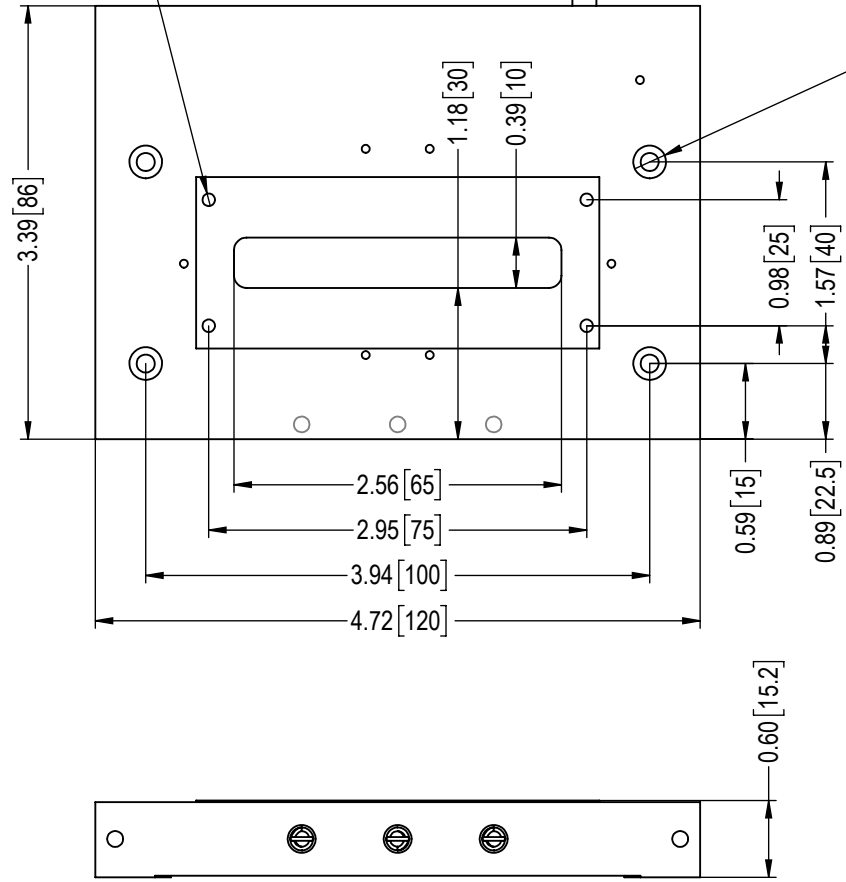


4 x M3x0.5
centered on aperture

cable exit

4 x C-Bored for M3 SHCAP
for mounting from top
4x M4x0.7
for mounting from bottom
centered on aperture



Description:
Date: 5/6/20

Dimensions are in inches [mm]
Drawing Name:
YT500-Dimensions

DRAWING IS TO BE USED AS A GUIDE ONLY. DIMENSIONS ARE SUBJECT TO CHANGE WITHOUT NOTICE. THE INFORMATION CONTAINED IN THIS DRAWING IS THE SOLE PROPERTY OF MAD CITY LABS. ANY REPRODUCTION IN PART OR AS A WHOLE IS PROHIBITED.