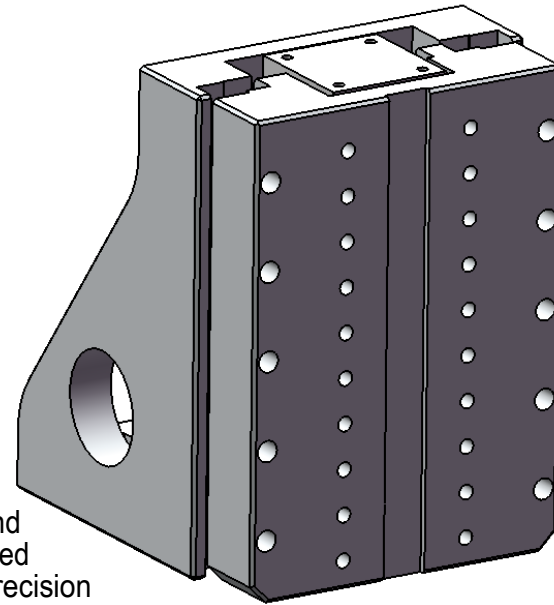
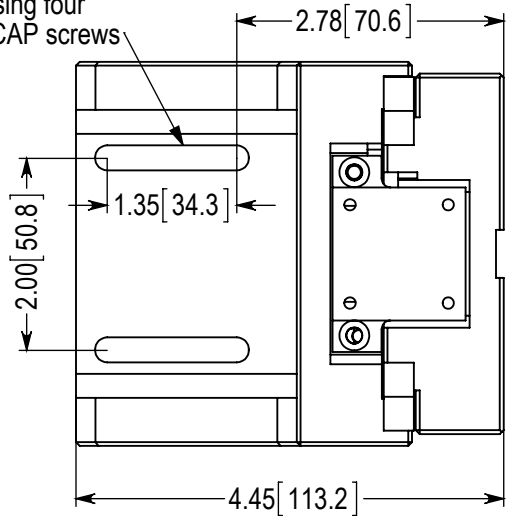
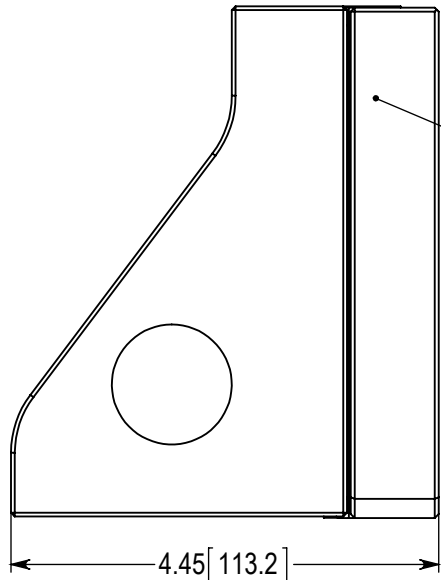


2 x slots for mounting,
recommend using four
1/4" or M6 SHCAP screws



Adapter plates for the Nano-OP and Nano-OP-M can be precisely located laterally at any height using the precision slot and 8-32 holes.



translating portion of SPM-MZ.

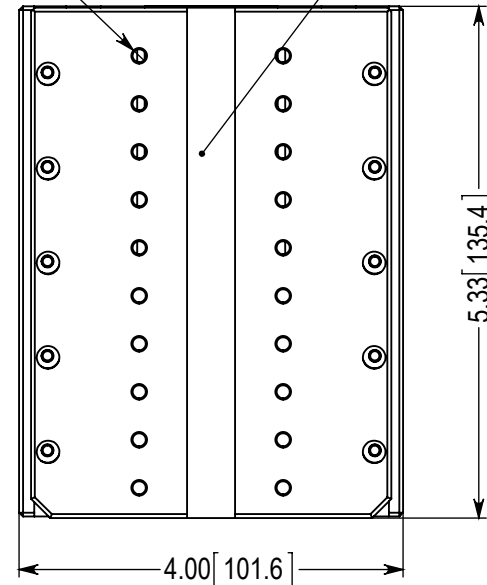
Position shown is nominal zero position.

For SPM-MZ with 50 mm range of motion the translating portion moves 25 mm up and 25 mm down from the zero position.

For SPM-MZ with 25 mm range of motion the translating portion moves 25 mm up from the zero position.

20 x8-32 UNC

Precision slot for alignment of adapter plates.



Dimensions are in inches [mm]

Drawing No.

SPM-MZ dimensions

DRAWING IS TO BE USED AS A GUIDE ONLY. DIMENSIONS ARE SUBJECT TO CHANGE WITHOUT NOTICE. THE INFORMATION CONTAINED IN THIS DRAWING IS THE SOLE PROPERTY OF MAD CITY LABS. ANY REPRODUCTION IN PART OR AS A WHOLE IS PROHIBITED.