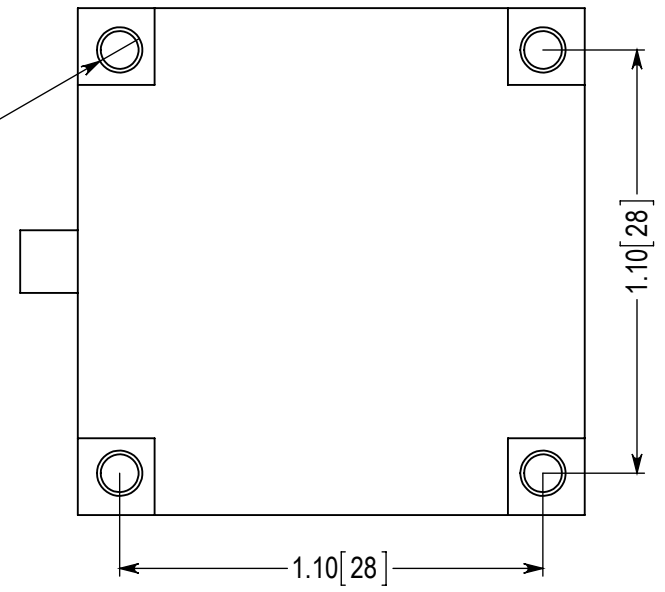


4xM3x0.5

4xM2x0.4



Bottom View showing location of M3x0.5 tapped holes, used for fixturing

